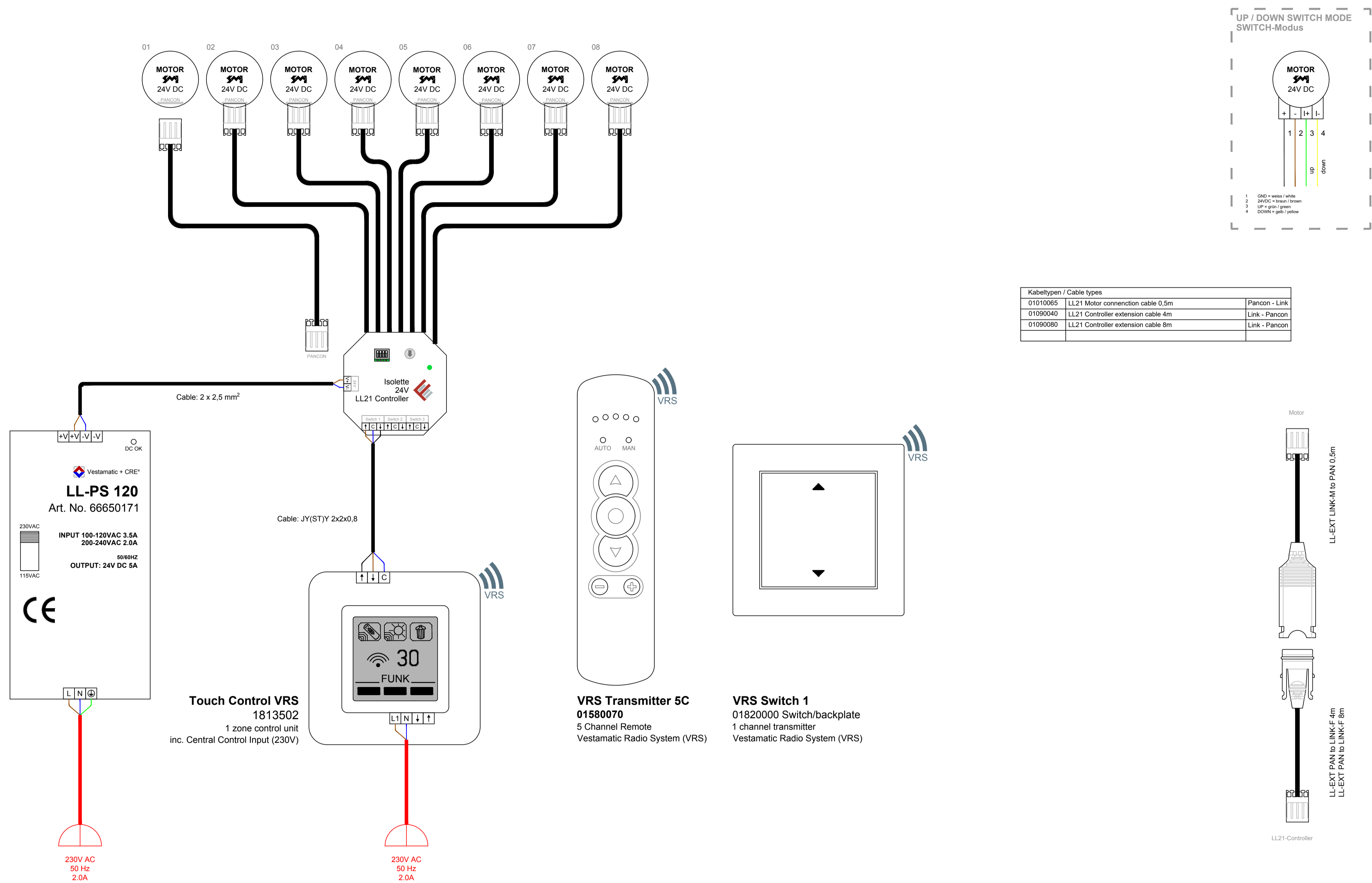


Kabeltypen / Cable types		
01010065	LL21 Motor connection cable 0,5m	Pancon - Link
01090040	LL21 Controller extension cable 4m	Link - Pancon
01090080	LL21 Controller extension cable 8m	Link - Pancon

Project Name: I-06 M1 SWITCH incl. LL21 Controller	Drawing no.: 202105021530	Drawing produced for: FALTENBACHER JALOUSIEBÄU	Drawing produced by:
	Rev: 03MR		
Dwg Title: Vestamatic + CRE® Proposed Solution	Date: 23-06-20	Faltenbacher Jalousienbau GmbH & Co. KG Im Gewerbepark 15 92681 Erbenndorf, Germany www.faltenbacher.de +49 9682 9220 19 gc@faltenbacher.de	Vestamatic + CRE Dohrweg 27 41066 Mönchengladbach Germany www.vestamaticcre.com
	Print Size: A3		



Project Name: I-06 M1 SWITCH
incl. LL21 Controller
incl. Touch Control VRS

Drawing no.: 202105211600
Rev: 03MR

Drawing produced for:
FALTENBACHER
JALOUSIENBAU
Faltenbacher Jalousienbau GmbH & Co. KG
Im Gewerbepark 15
92681 Erbenhof, Germany
www.faltenbacher.de
+49 9682 9220 19
gc@faltenbacher.de

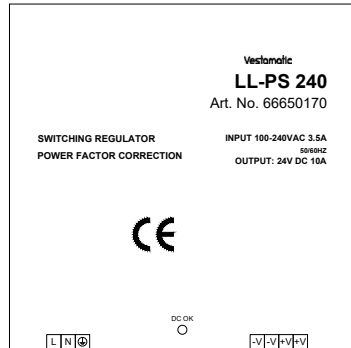
Drawing produced by:

Dwg Title: Vestamatic + CRE®
Proposed Solution

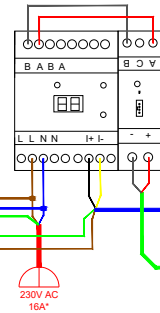
Date: 23-06-20
Print Size: A3

Vestamatic + CRE
Dohrweg 27 | 41066 Mönchengladbach | Germany
www.vestamaticcre.com

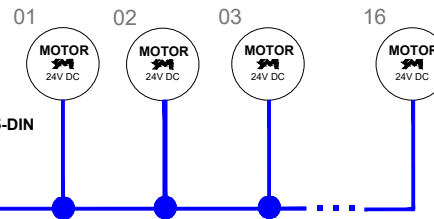
SMI-Modus (I-06 M1 SMI-Com)



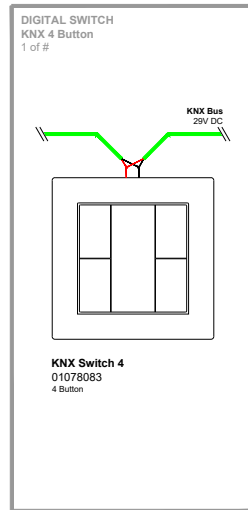
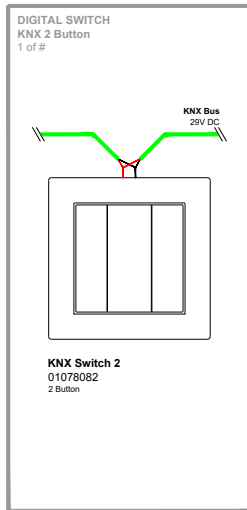
IF SMI RS-485 24VDC-DIN



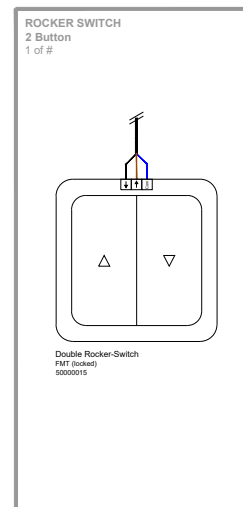
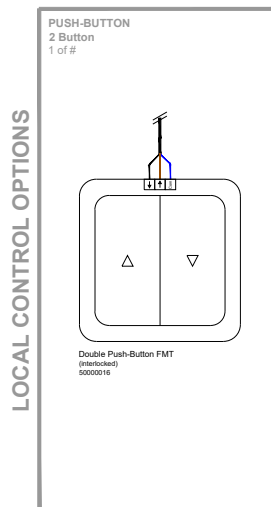
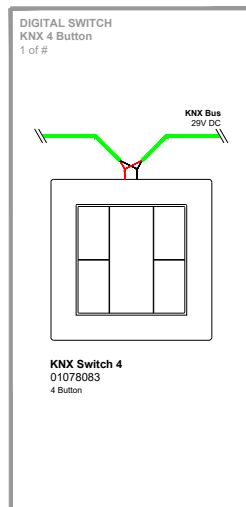
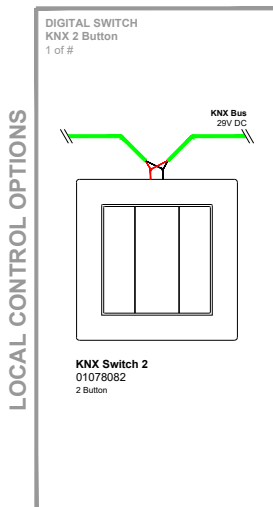
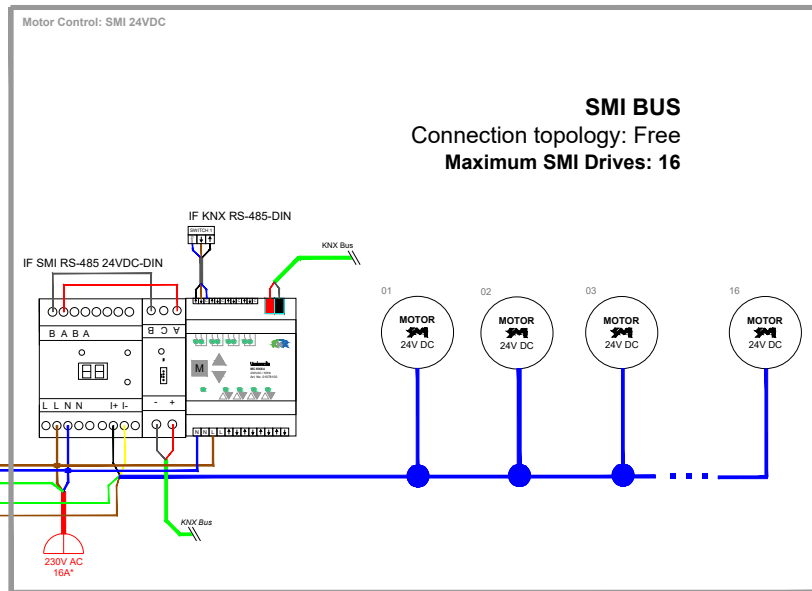
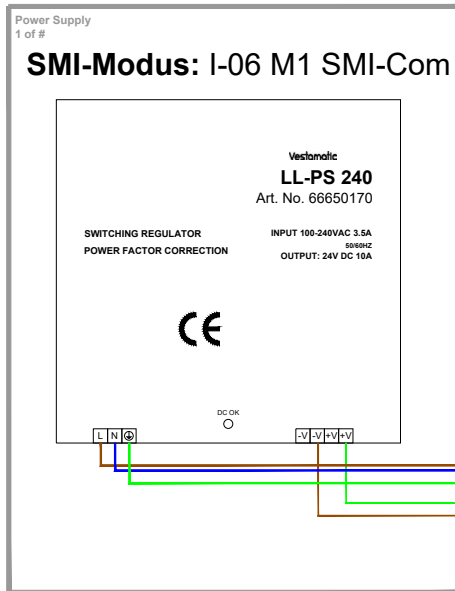
SMI BUS
Connection topology: Free
Maximum SMI Drives: 16



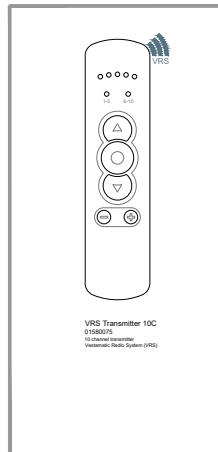
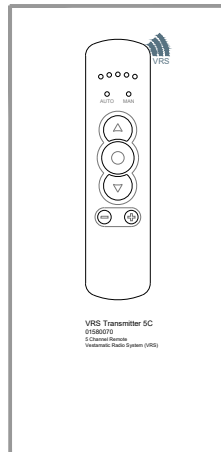
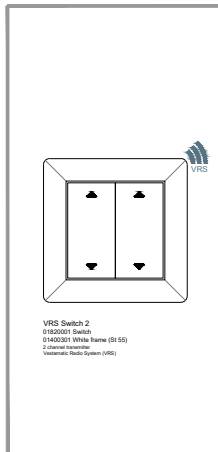
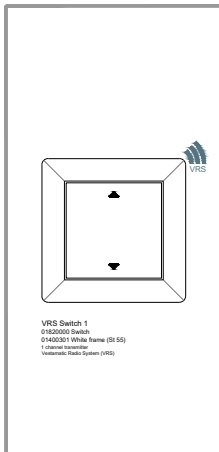
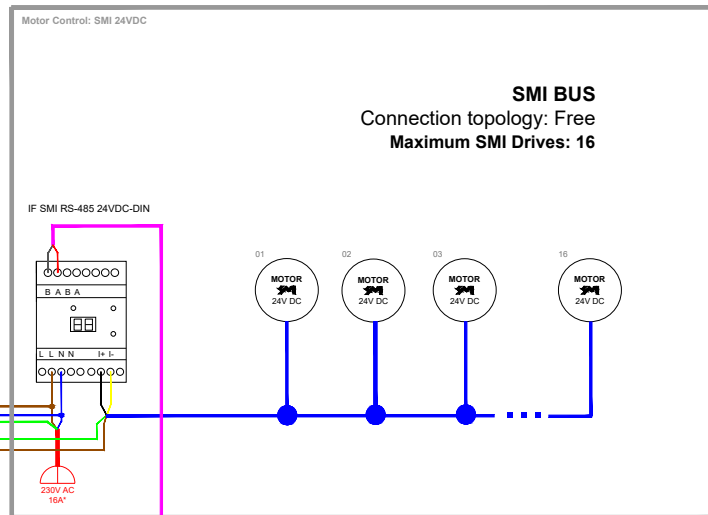
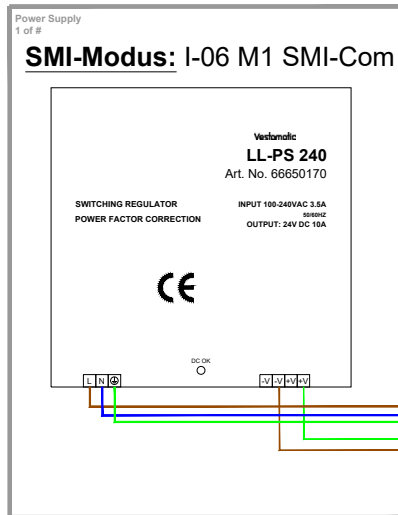
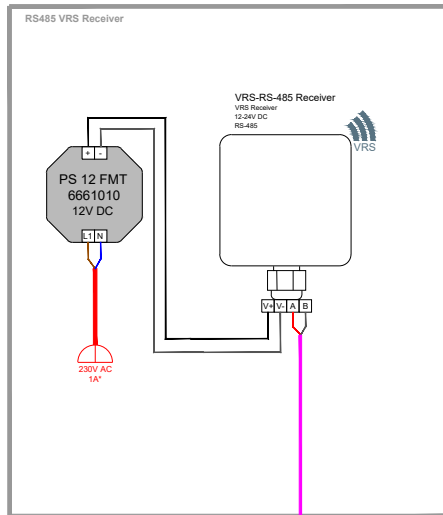
LOCAL CONTROL OPTIONS




Project Name: I-06 M1 SMI Com incl. RS485 KNX	Drawing no.: 01010060-1	Drawing produced for: FALTENBACHER JALOUSIENBAU	Drawing produced by:
	Rev: 03MR	Faltenbacher Jalousienbau GmbH & Co. KG Im Gewerbepark 15 92681 Erbendorf, Germany www.faltenbacher.de +49 9682 9220 19 gc@faltenbacher.de	
Dwg Title: Vestamatic + CRE® Proposed Solution	Date: 23-06-20		Vestamatic + CRE
	Print Size: A3		Dohrweg 27 41066 Mönchengladbach Germany www.vestamaticcre.com



Project Name: I-06 M1 SMI Com incl. RS485 KNX	Drawing no.: 01010060-2	Drawing produced for: 	Drawing produced by:
Dwg Title: Vestamatic + CRE® Proposed Solution	Rev: 03MR	Faltenbacher Jalousienbau GmbH & Co. KG Im Gewerbepark 15 92681 Erbenhof, Germany www.faltenbacher.de +49 9682 9220 19 gc@faltenbacher.de	Vestamatic + CRE Dohrweg 27 41066 Mönchengladbach Germany www.vestamaticcre.com
	Date: 23-06-20		



Project Name: I-06 M1 SMI Com incl. RS485 VRS	Drawing no.: 01010060-3	Drawing produced for:  Faltenbacher Jalousienbau GmbH & Co. KG Im Gewerbepark 15 92681 Erbendorf, Germany www.faltenbacher.de +49 9682 9220 19 gc@faltenbacher.de	Drawing produced by: Vestamatic + CRE Dohrweg 27 41066 Mönchengladbach Germany www.vestamaticcre.com
	Rev: 03MR		
Dwg Title: Vestamatic + CRE® Proposed Solution	Date: 23-06-20		
	Print Size: A3		