

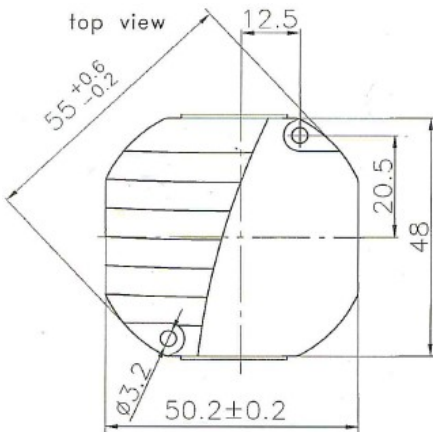
## Transformer 24V DC-1-IG –max. 2 drives parallel

### **/\_** Technical data

Type:	N1hFSW3	(Art. 6708)
Voltage input:	100 – 240 V AC	
Voltage output:	24V DC	
Current output:	500 mA	
Current range:	0 – 650 mA	
Rated power:	12 Watt	
Certification EU:	EN 60950, EN 60335, EN 61558	
Certification UL:	UL 60950	
Working temperature:	-25° C bis +50° C (-13°F bis + 122°F)	

Connection: *2-pole grey / grey (input) to 2-pole red / black (output).*  
Connection through plug-in terminals or screw terminals.

Width:	50mm
Height:	48mm
Length:	24mm



### **Security advice:**

Before connection, please check the correct power supply (input/output), current and polarity.

In the event of a brief overload or short circuit, the power supply unit falls into a safety mode and is not damaged. If the power supply unit is constantly overloaded to a minor degree, it may be damaged or its service life may be greatly reduced. The connection of the power supply unit must only be carried out by qualified personnel. **For further details please regard the circuit diagrams!**

This document contains confidential information. Any duplication or distribution to third parties without the consent of the manufacturer is not allowed.